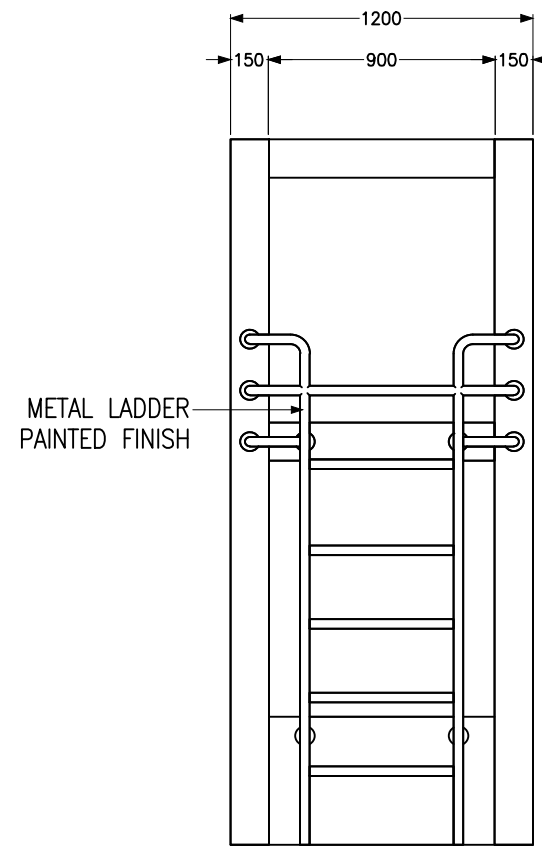
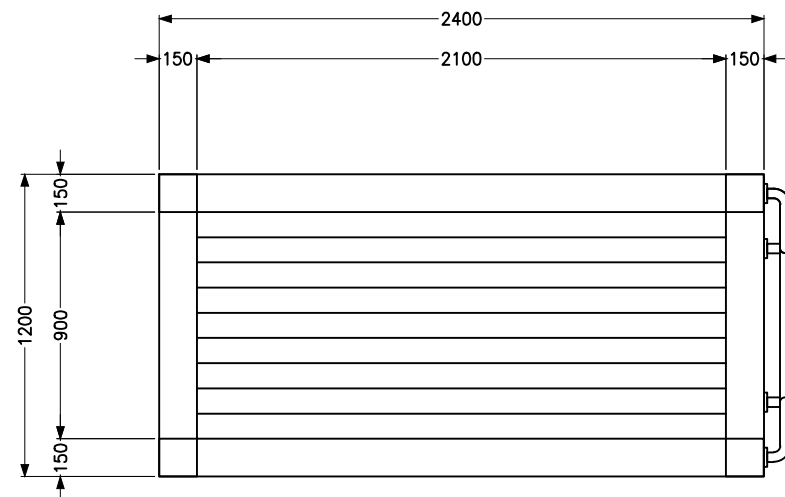


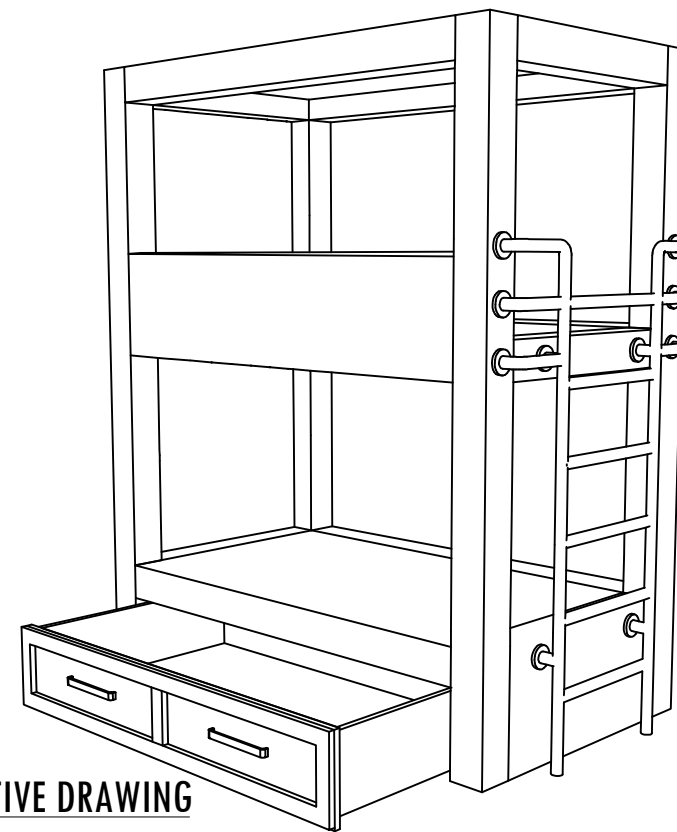
FRONT VIEW
SCALE 1:30



SIDE VIEW
SCALE 1:30



PLAN VIEW
SCALE 1:30



PERSPECTIVE DRAWING

EDUCATIONAL		BUSINESS	
FAIR USE OF THIS MATERIAL			
Credits: BUNK BED by JBS, Visit us: storytosharedaily.com , Email us: info@storytosharedaily.com			
DRAWING TITLE:			
BUNK BED			
DRAWING NO.:		JBS-C-06222022	
REVISION NO.:	00	REVISION DATE:	--
DRAWN BY:	JBS	RELEASED DATE:	JUNE 22, 2022
CHECKED BY:	JBS	SHEET NUMBER	001
APPROVED BY:	JBS		
SCALE:	AS SHOWN	PAPER SIZE:	A3